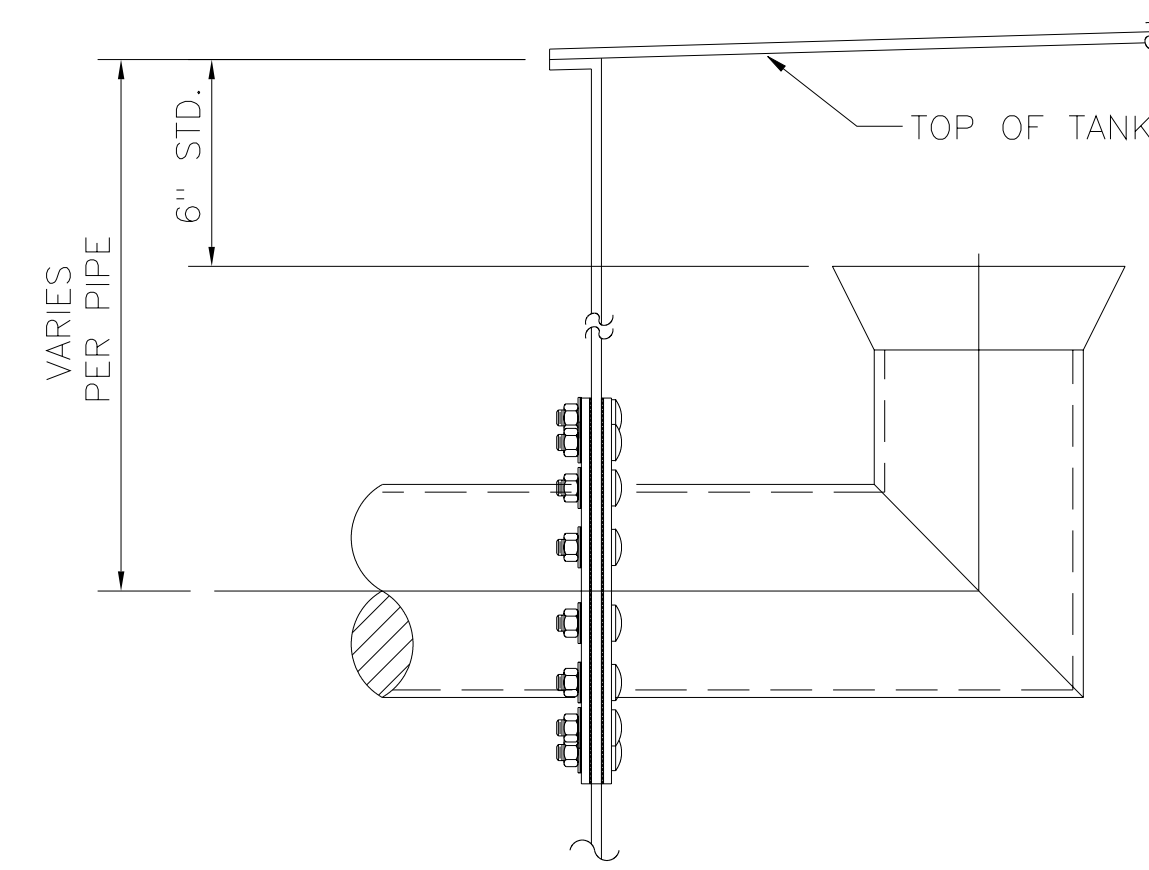
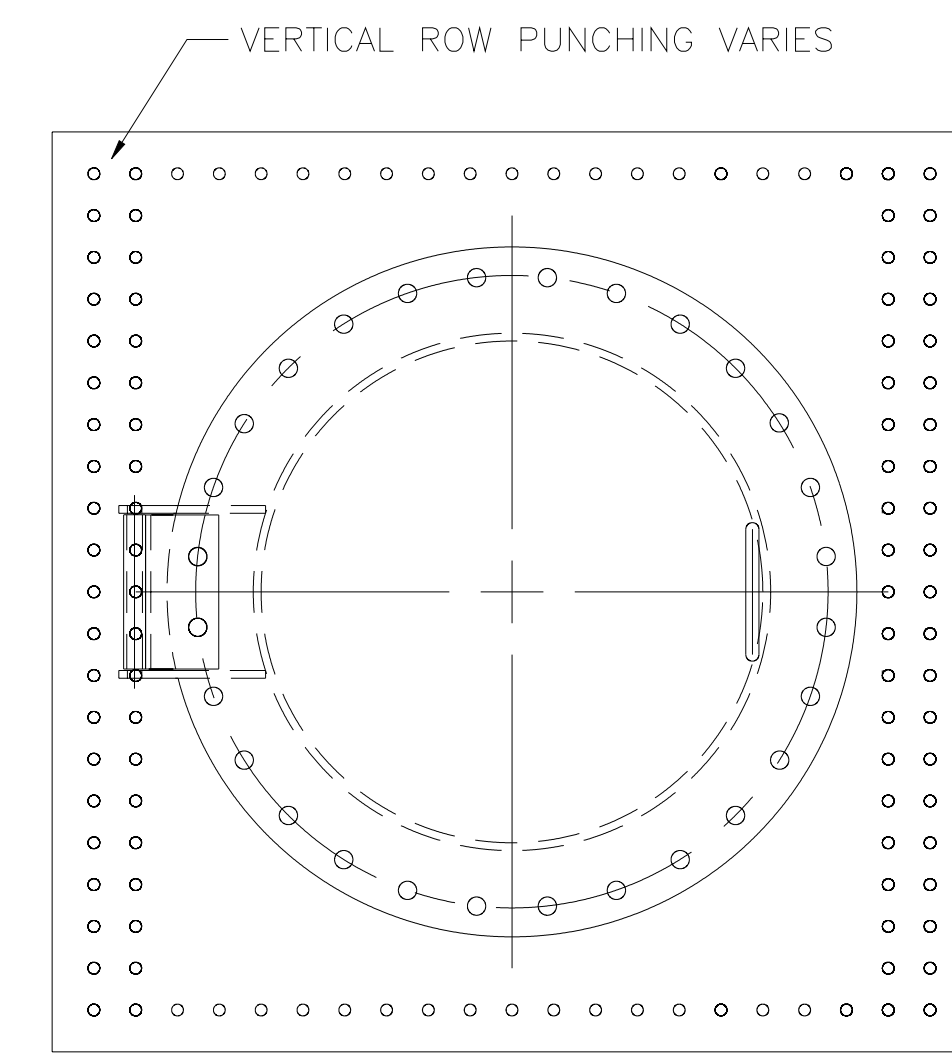


TYPICAL HILLSIDE NOZZLE INSTALLATION

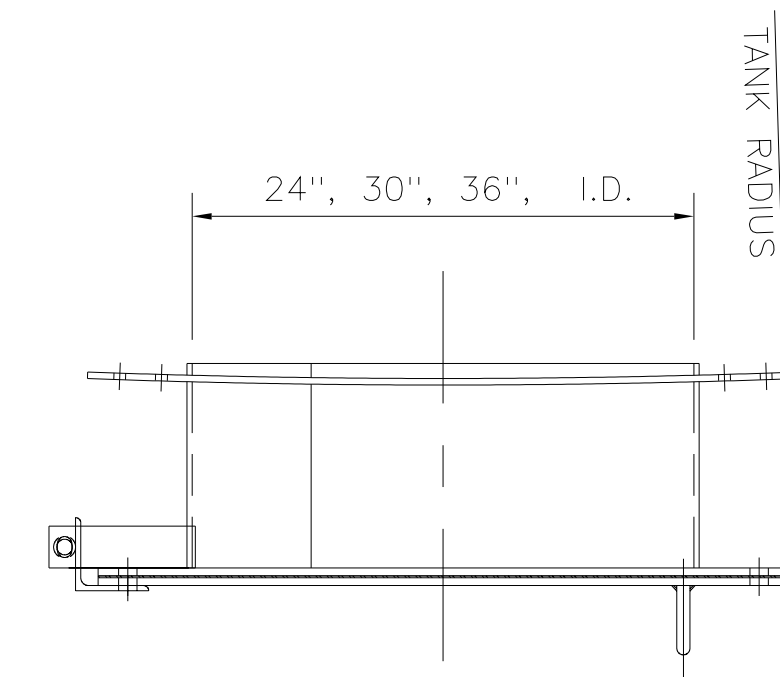


TYPICAL OVERFLOW W/ER CONE INSTALLATION

NOTE: ALL NOZZLES ARE RADIAL UNLESS NOTED AS PARALLEL

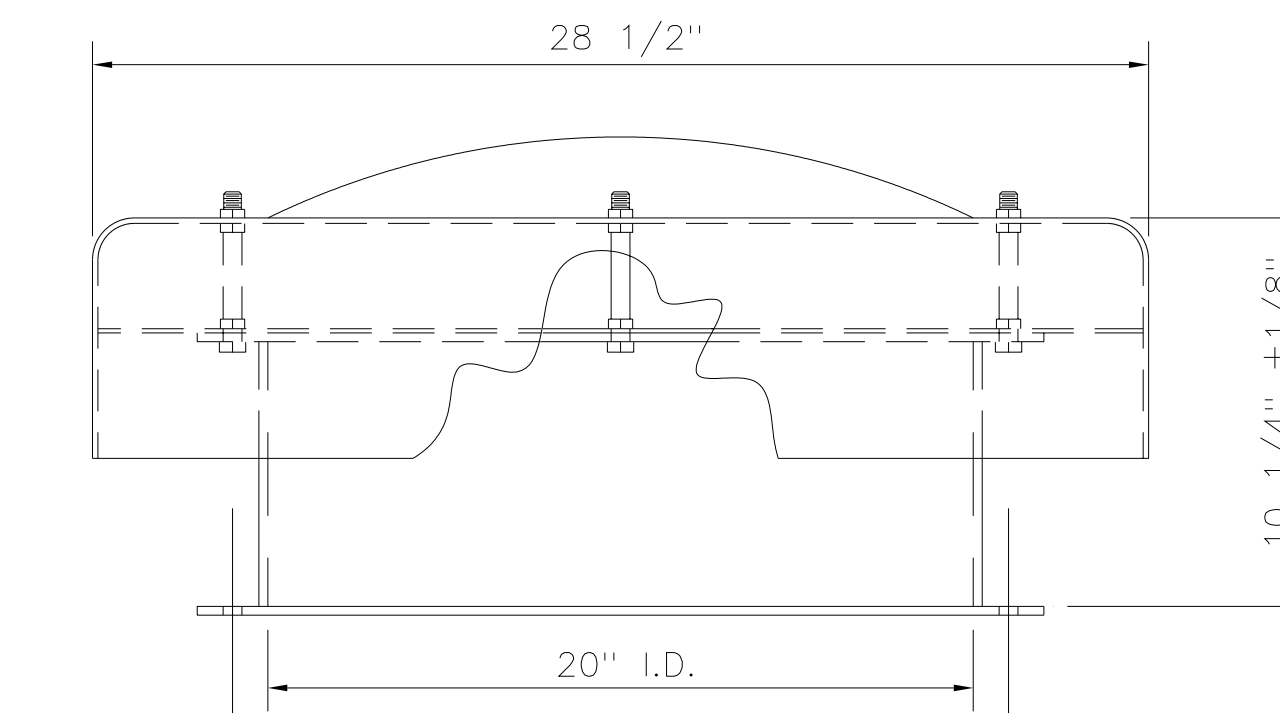


FRONT



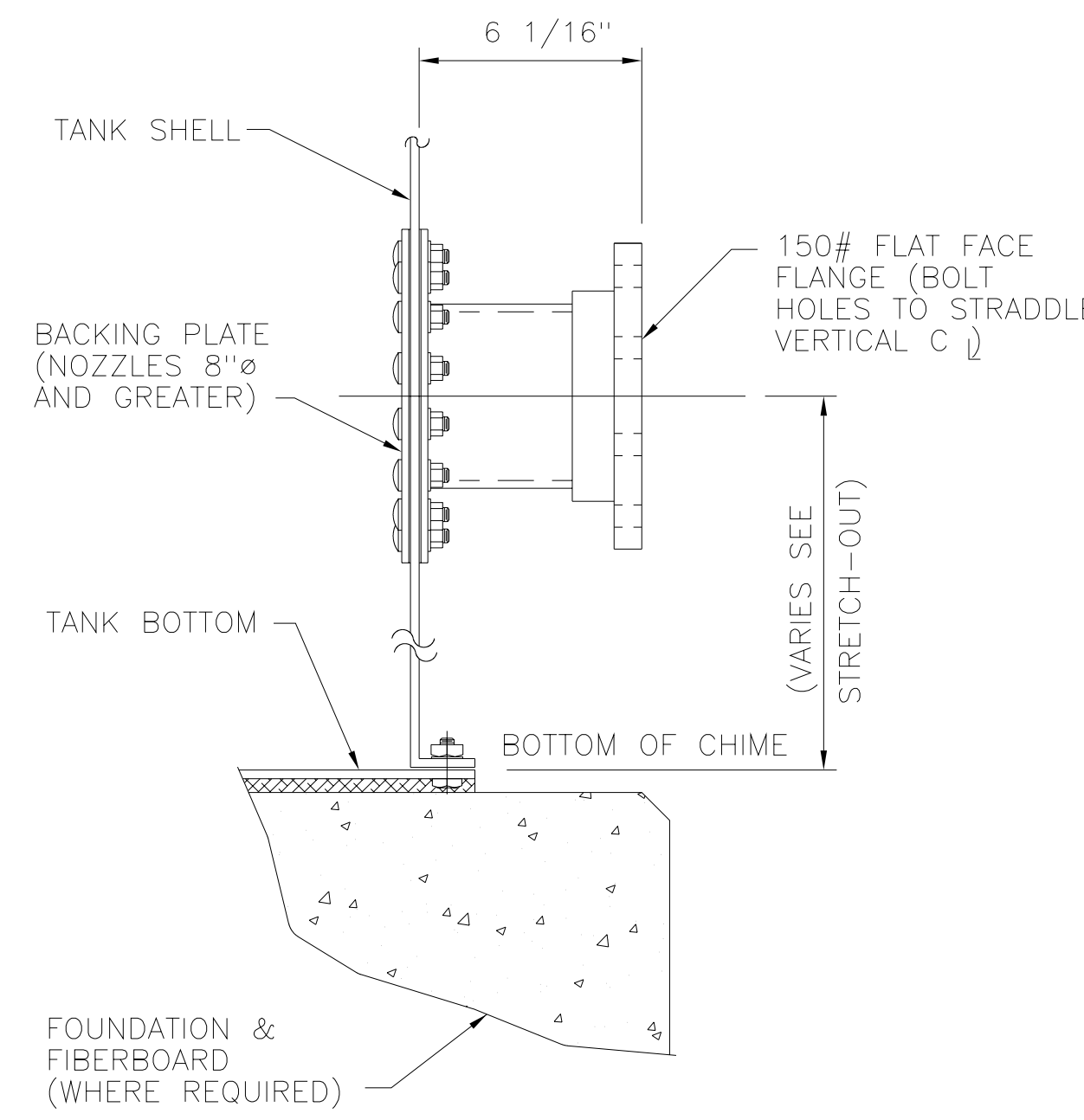
PLAN

TYPICAL SHELL MANWAY



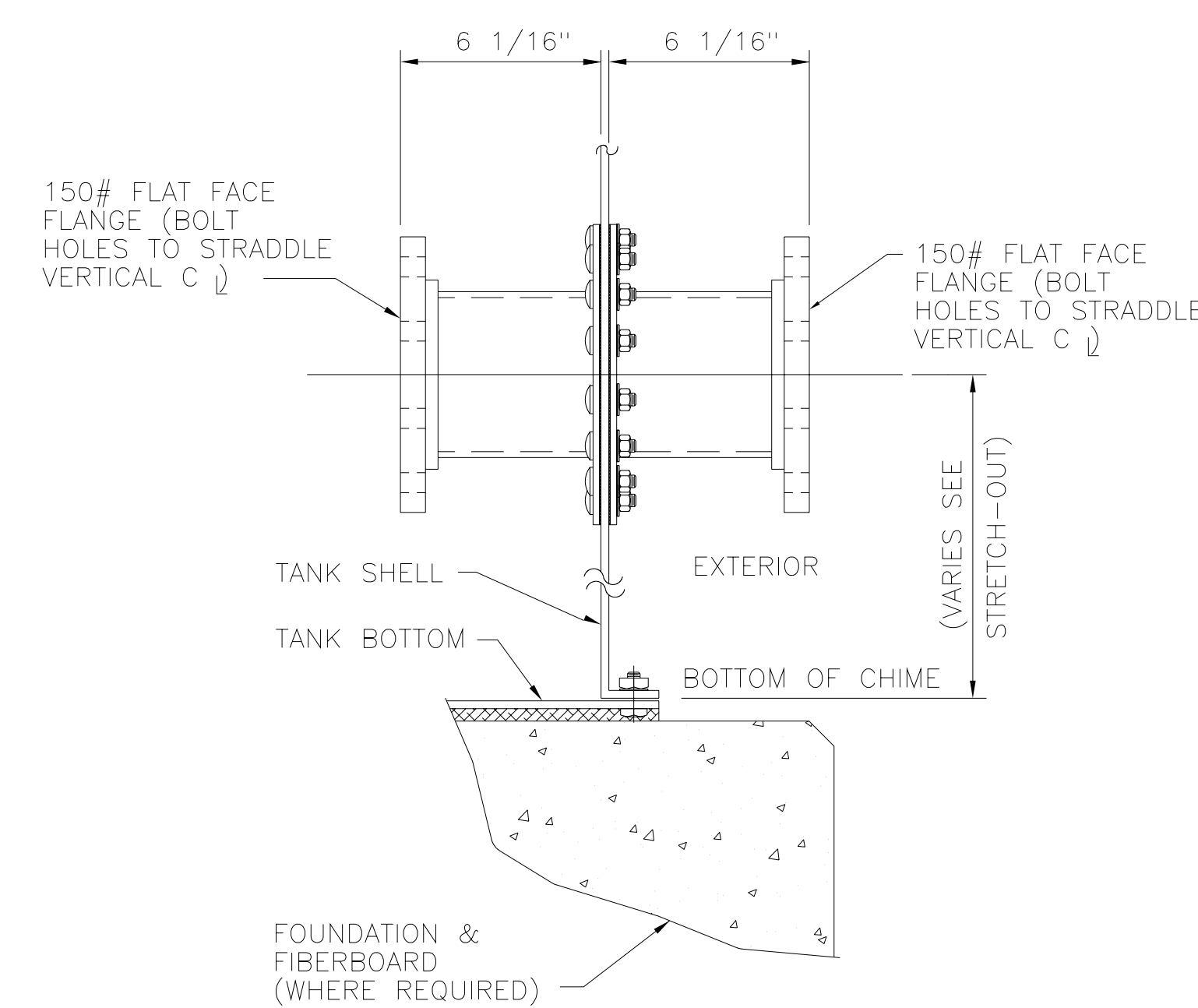
TYPICAL MANHOLE COLLAR W/ VENTILATOR ASSEMBLY

VORTEX NOZZLE DIMENSIONS	
PIPE SIZE	DIMENSIONS
	"A"
2"	9 1/4"
3"	10 3/4"
4"	12 1/4"
5"	13 3/4"
6"	15 1/4"
8"	18 1/4"
10"	21 1/4"
12"	24 1/4"
14"	28 1/4"
16"	32 1/4"
18"	36 1/4"
20"	40 1/4"
24"	48 1/4"



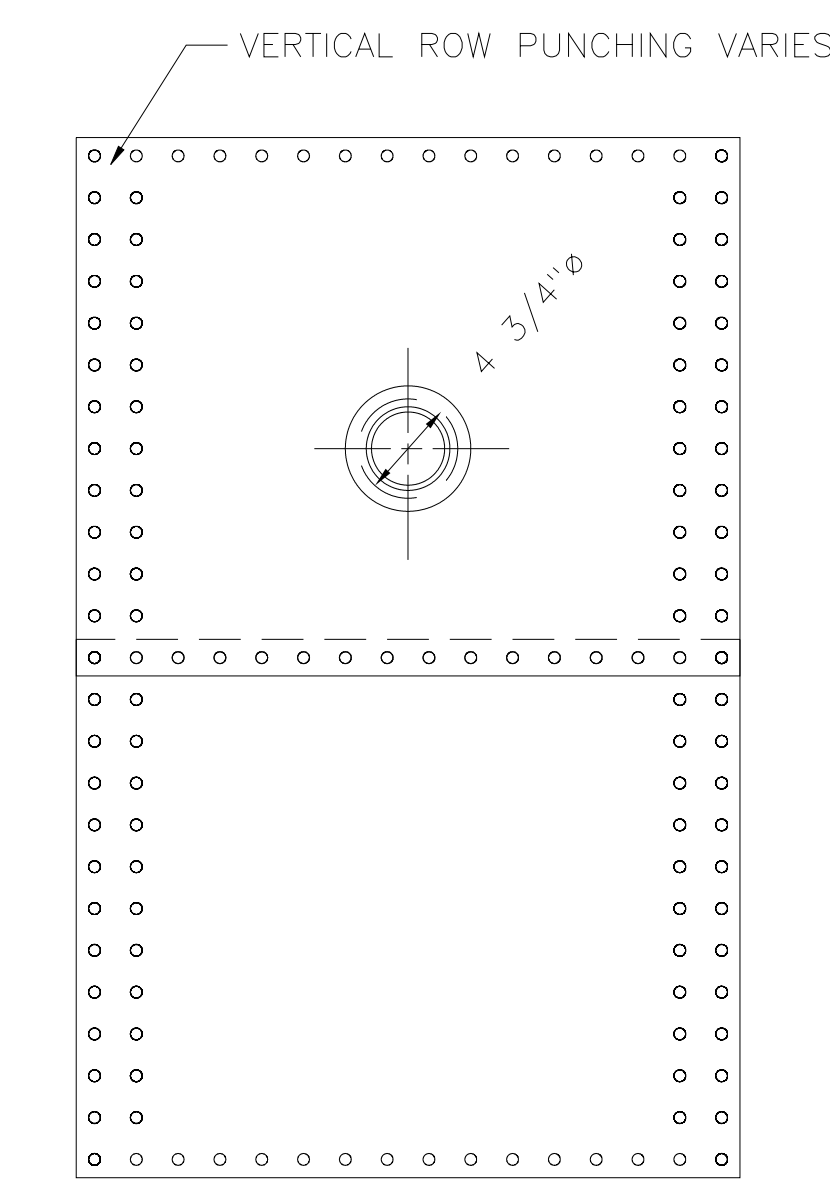
TYPICAL EXTERIOR NOZZLE INSTALLATION

NOTE: ALL NOZZLES ARE RADIAL UNLESS NOTED AS PARALLEL

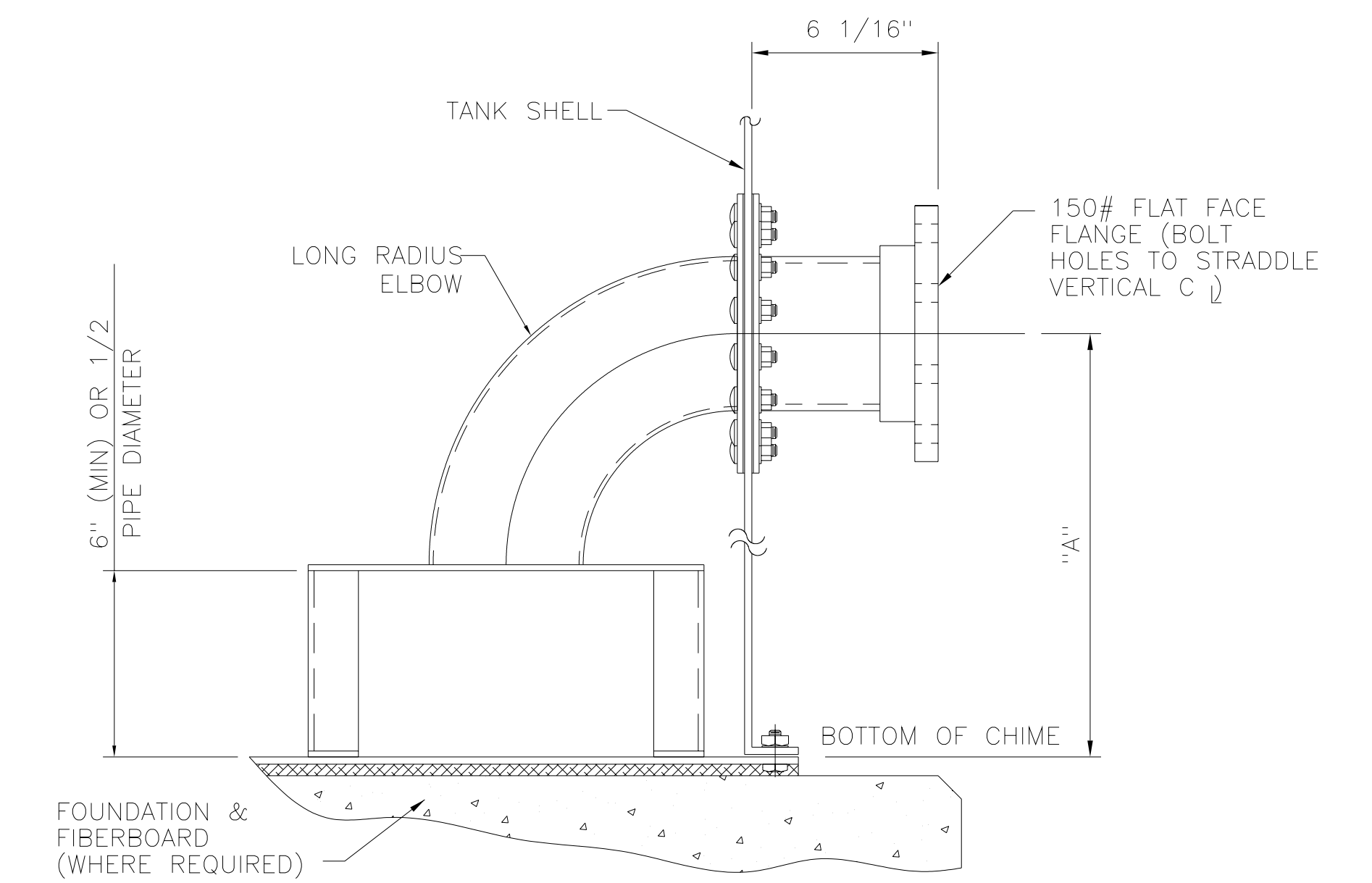


TYPICAL DOUBLE NOZZLE INSTALLATION

NOTE: ALL NOZZLES ARE RADIAL UNLESS NOTED AS PARALLEL

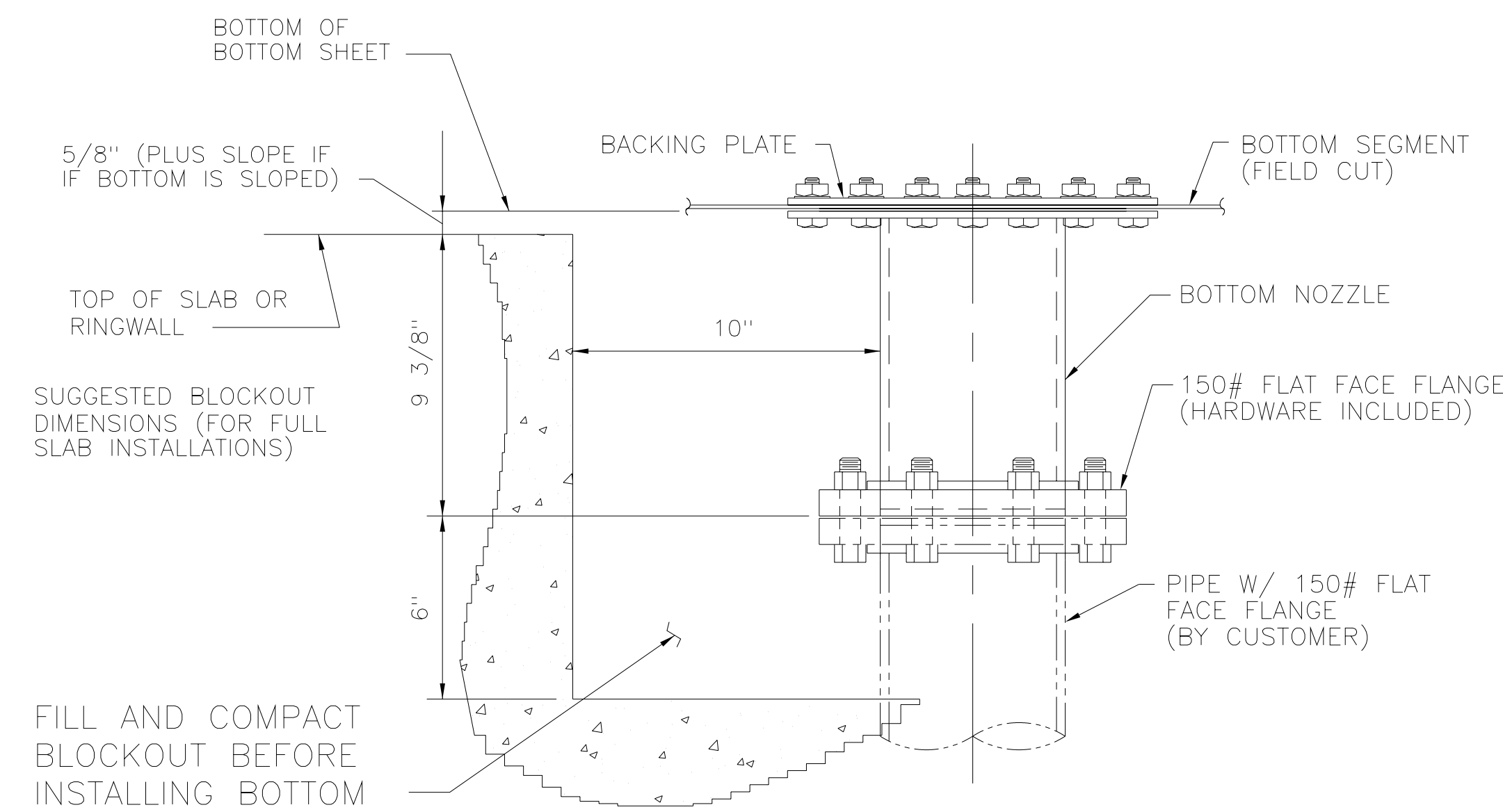


TYPICAL CLEAN OUT  
24' X 46" / 30" X 46"



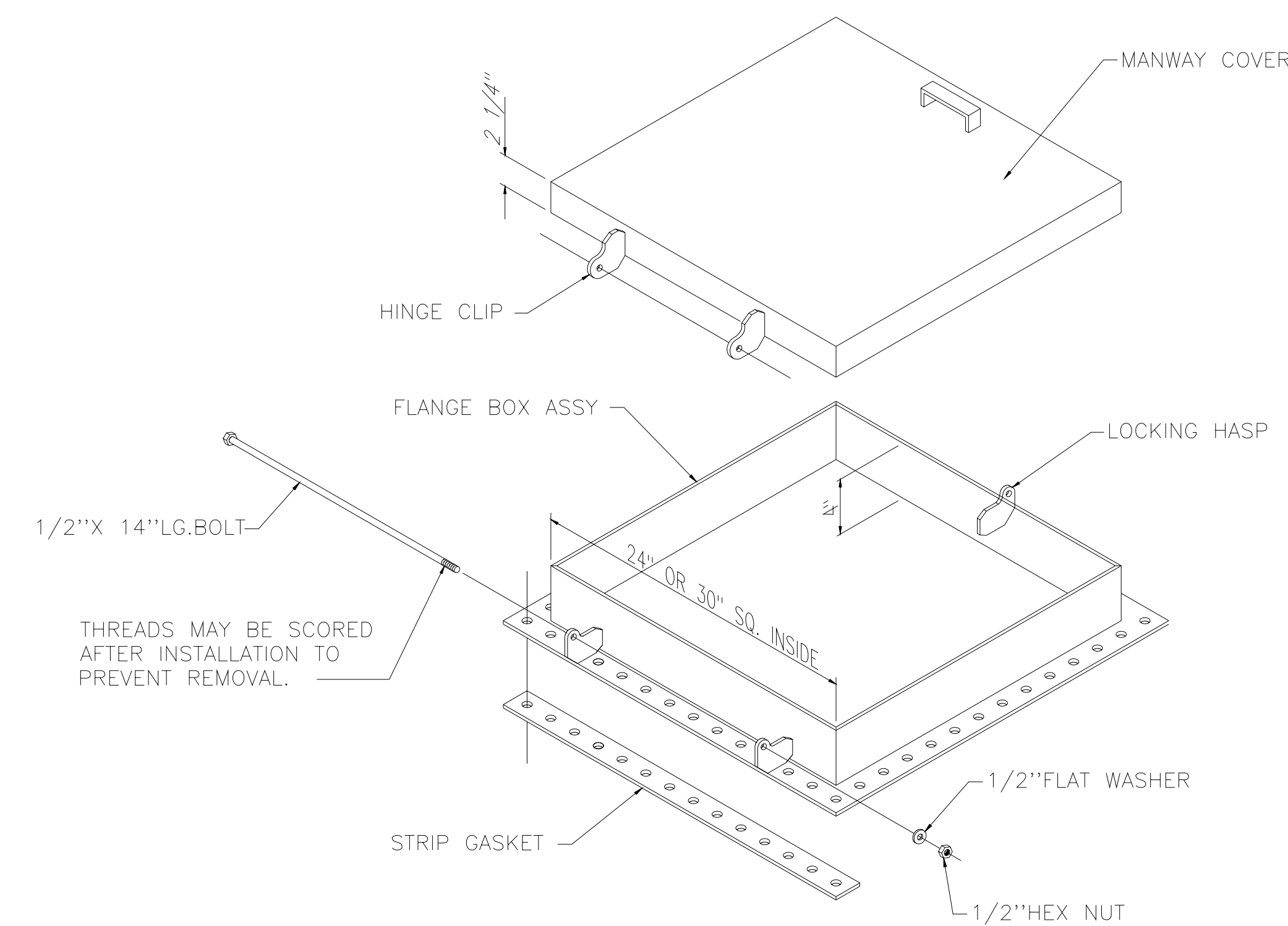
TYPICAL SUCTION NOZZLE INSTALLATION

NOTE: ALL NOZZLES ARE RADIAL UNLESS NOTED AS PARALLEL



TYPICAL BOTTOM PENETRATION DETAIL  
(OPENING IN BOTTOM SEGMENT FIELD LOCATED & CUT)

NOTE: PVC PIPING IS NOT RECOMMENDED BY CTT DUE TO IMPOSED STRESSES.



TYPICAL BOLT-ON MANWAY W/ LOCKABLE HASP

SYM	REVISION	ZONE	DATE	BY	APR.
STANDARD DETAILS		D. T. NO.	STD		
		MODEL NO.			
		SCALE	PLOT 1=6		
DRAWN BY JK		DATE	8/25/03		
CHECKED BY JR		NEXT ASSY. NO.	ITEM		
APPROVED BY		DWG. NO.	STANDARDDETAIL		
CUSTOMER APPROVAL		COLUMBIAN TEC TANK COMPANY 5400 Kansas Ave. P. O. Box 2907 Kansas City, KS 66110			